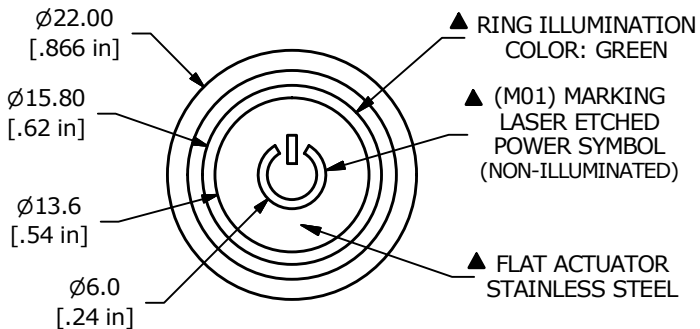
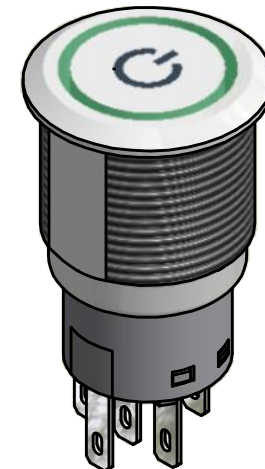


Recommended PANEL CUTOUT
MAX. PANEL THICKNESS:
11.0 [.43in]

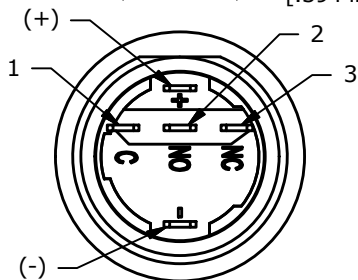
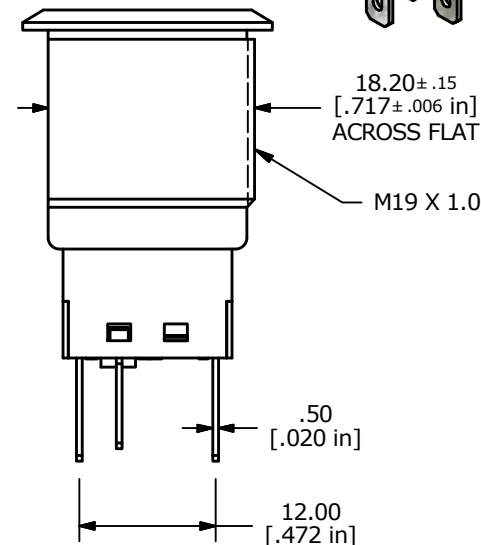
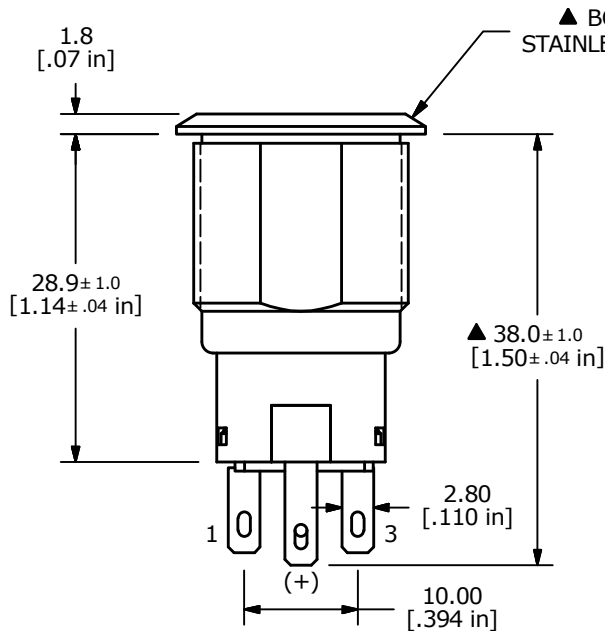
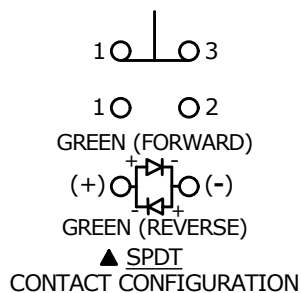


- ▲ RING ILLUMINATION COLOR: GREEN
- ▲ (M01) MARKING LASER ETCHED POWER SYMBOL (NON-ILLUMINATED)
- ▲ FLAT ACTUATOR STAINLESS STEEL



SWITCH FUNCTION	
POS. 1	POS. 2
ON	(ON)
1-3	(1-2)

(ON) = MOMENTARY



- NOTE:
1. ALL DIMENSIONS IN MM [INCH]
 2. GENERAL TOLERANCE: X.X = ±0.4
X.XX = ±0.25
 3. TERMINAL NUMBERS FOR REF ONLY
 - ▲ 4. CONTACT MATERIAL: SILVER
 5. RATING: 2A 24VDC
 6. ELECTRIC LIFE: 50,000 MAKE-AND-BREAK CYCLES AT FULL LOAD.
 7. INSULATION RESISTANCE: 1,000 MΩ MIN.
 8. DIELECTRIC STRENGTH: 2,000 VAC MIN. FOR 1 MINUTE
 9. CONTACT RESISTANCE: 50mΩ MAX. @ 1A 12VDC
 10. OPERATING TEMP.: -20°C to 55°C
 - ▲ 11. TRAVEL: 2.8mm
 12. ▲ DENOTES CRITICAL PARAMETER
 - ▲ 13. LAMP VOLTAGE: 12V
 14. INGRESS PROTECTION: IP65
 - ▲ 15. HARDWARE SUPPLIED: O-RING AND HEXNUT



REV	PCR NO	DESCRIPTION	DATE	BY
B	22413	DRAWING UPDATES	8/30/16	MW
A	21507	RELEASE FOR PRODUCTION	7/9/14	EBP

TITLE PV4F2B0SS-334-M01				
SCALE 3:2	DATE 7/9/2014	DR EBP	DWG 52-PV4F2B0SS334M01	REV B

THE INFORMATION CONTAINED IN THIS DOCUMENT IS PROPRIETARY TO E-SWITCH AND IS NOT TO BE COPIED OR TRANSFERRED